

M-Bus Converter

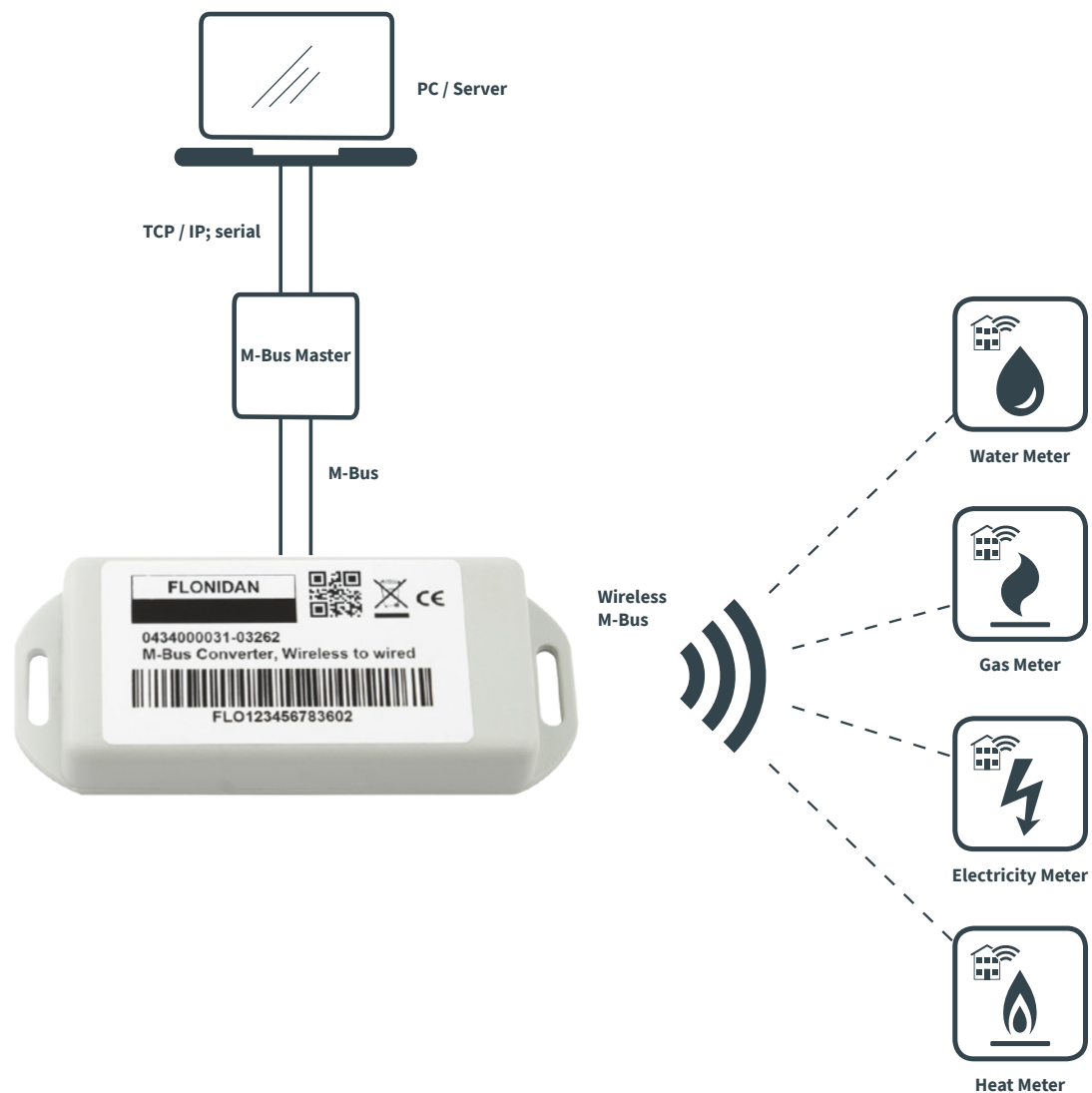


Application

M-Bus converter is a low-cost device used for converting data from wireless M-Bus to wired M-Bus. Whether data from water, heat, gas, cooling or electricity meters the M-Bus converter enables the integration of meters with wireless M-Bus data into a wired M-Bus system/network.

The M-Bus converter is designed for use by utilities and distribution network providers performing energy management in Building Automation, Energy management and registration, Smart Grids, Advanced Metering Infrastructure or submetering systems. M-Bus Converter handles different wireless M-Bus protocols (mode T1/T2 and C1) in the ISM band (868 MHz) for water, heat, cooling, gas and electricity meters.

M-Bus Converter is transparent and configurable. Configuration is done with the FLONIDAN application software, using wired M-Bus network or wireless with an USB configuration tool. The setup of the connected meters, communication modes and encryption level can be configured.



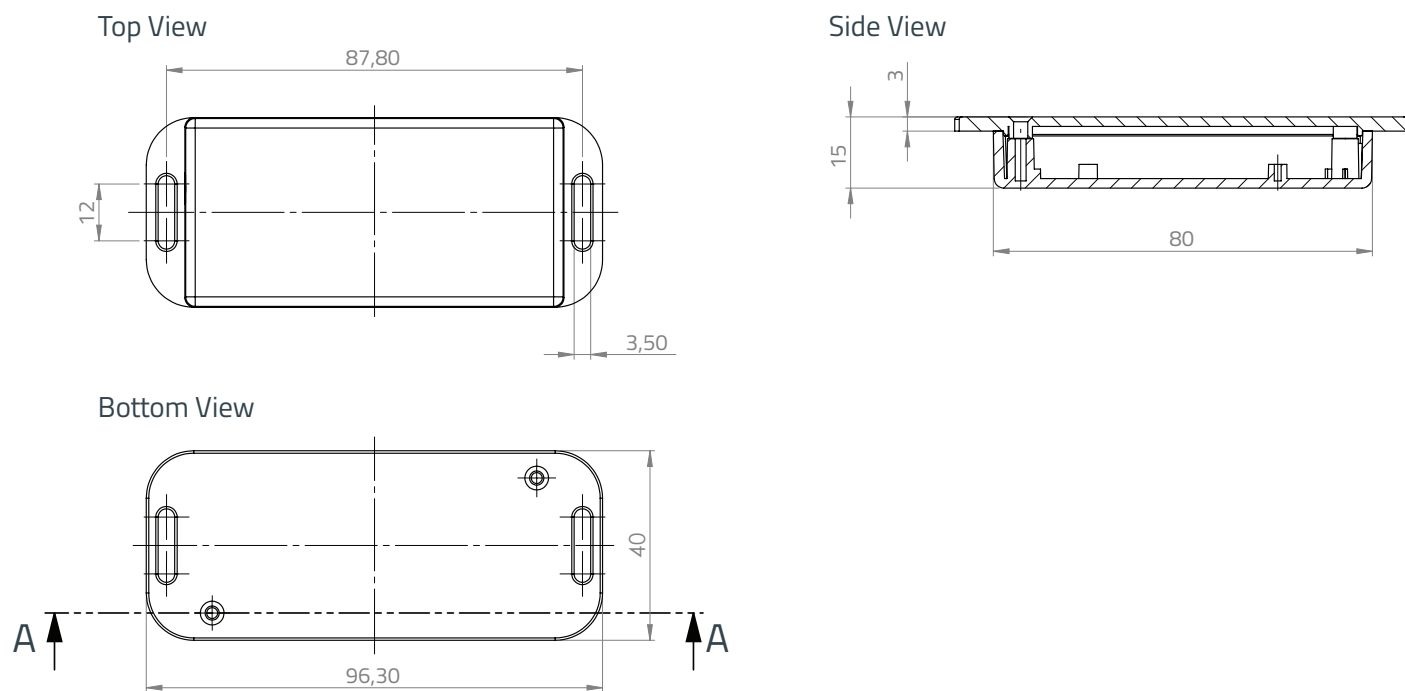
Features

- Bidirectional wireless communication link
- Fully supports wired M-Bus (EN 13757-3)
- Fully supports wireless M-Bus (EN13757-4)
- Compact design allowing easy installation and flexible placement in tight spaces
- 0.5 m wire for wired M-Bus
- One M-Bus converter handles up to 4 individual meters
- OMS 4 compliant
- Built-in antenna

Configuration

- Up to 4 meters individually
- Settings for wireless M-Bus devices of type gas, water, heat or electricity are supported
- Setting of unique device ID supported
- Individual and configurable encryption AES keys for virtual meters and configuration interface
- Firmware upgrade and software upgrade over wired M-Bus or wireless
- Quick and simple installation procedure for wireless connections

Dimensions



Protocols

- OMS v.3/OMS v.4
- DSMR 2.2/DSMR 4.x
- Kamstrup mode C
- Echelon mode 2
- Hydrometer (Diehl)
- RAW reporting
- Unencrypted

Approvals

- EMC DIRECTIVE 2014/30/EU
- RED DIRECTIVE 2014-53-EU
- RoHS2 DIRECTIVE 2011/65/EU
- REACH EC 1907/2006
- WEEE DIRECTIVE 2012/19/EU

Radio

- ISM 868 MHz
- Range: up to 300 meters LOS (Line of sight)
- Power: 7 M-Bus loads
- Output power +10 dBm
- Sensitivity -95 dBm

Operation condition

- Ambient temperature range -25°C - +55°C
- IP 54